
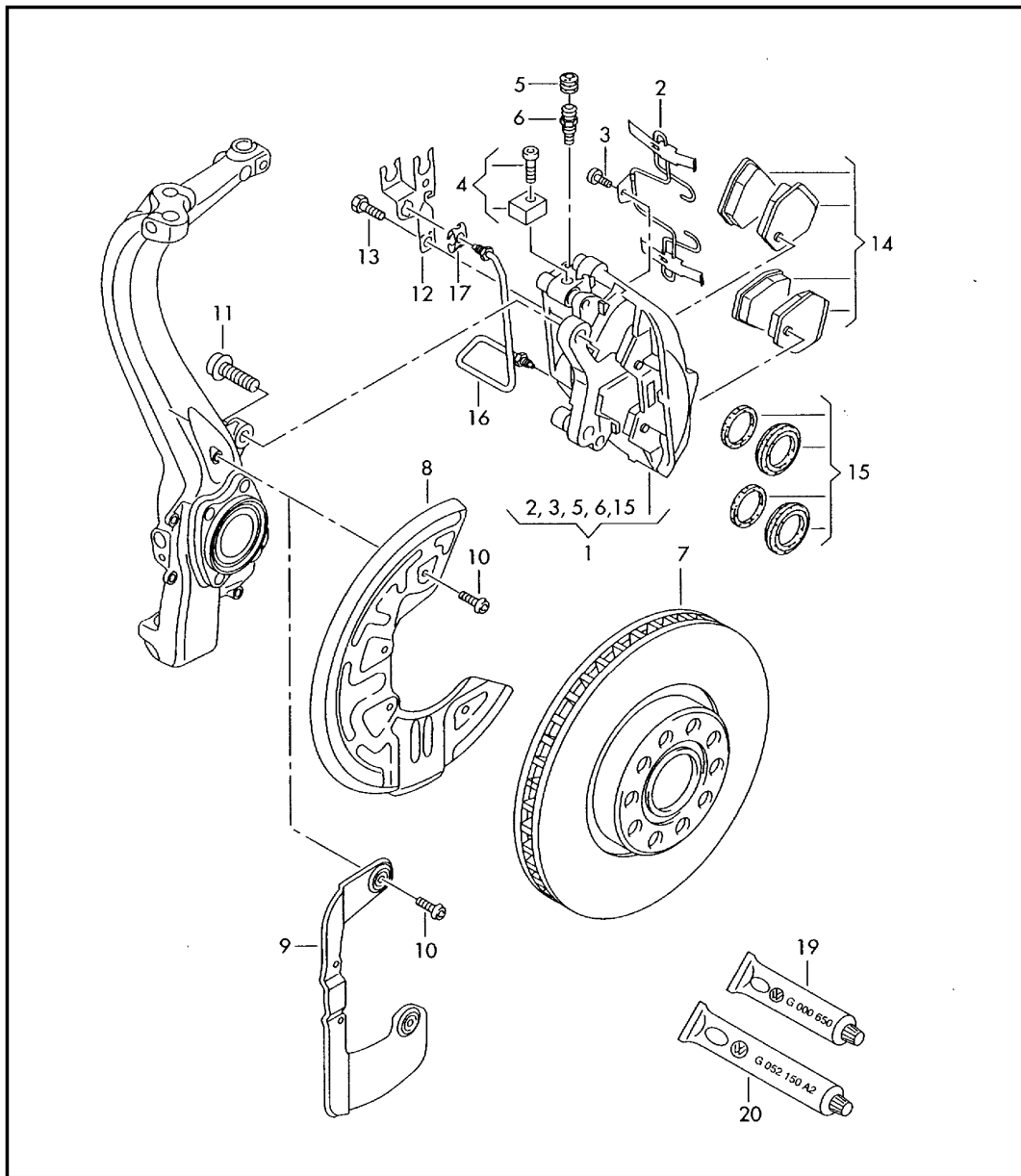


Model	Year	MG	SG	Illustration	Restrictions	UPD	13:34	10.06.2009		ETKA
A4Q	2000	6	15	615-50		753	USA			



Pos	Part Number	Name	Remarks	Qty	Model
		floating caliper	front		PR-1LX
		brake disc (ventilated)	321X30 LUCAS 5/112		
8	4B0 615 311	splash shield for brake disc	left	1	
(8)	4B0 615 312	splash shield for brake disc	right	1	
10	+ N 905 293 01	screw, hex. hd.	M6X10	6	
11	N 908 768 01	bolt,hex.hd.with shoul.(combi)	M14X1,5X38	4	
12	4B3 615 133 B	bracket	left	1	
(12)	4B3 615 134 B	bracket	right	1	
13	+ N 010 237 6	screw, hex. hd.	M8X12	2	
14	b 4B3 698 151	1 set of brake pads for disc brakes	321X30	1	
15	b 4D0 698 471	set of seals for piston housing		2	
16	b 4B3 611 721 C	brake line	left	1	
(16)	b 4B3 611 722 C	brake line	right	1	
17	4D0 611 715 B	retaining spring		2	
19	G 000 650	lubricating paste	100G	X	
20	G 052 150 A2	lithium-grease	180G	X	