
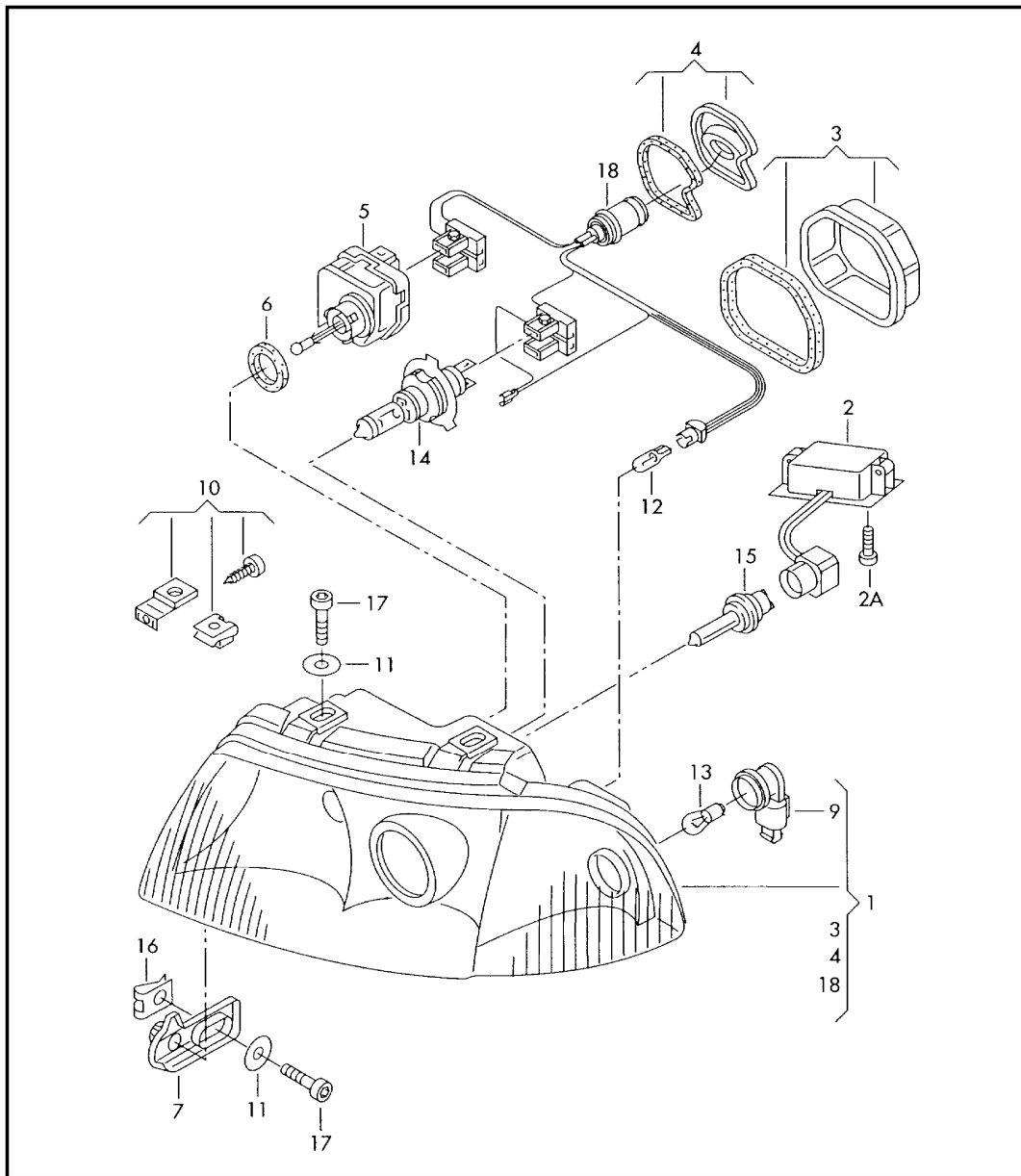



Model	Year	MG	SG	Illustration	Restrictions	UPD	13:30	20.08.2009		ETKA
A4Q	2000	9	41	941-20		764	USA			



Pos	Part Number	Name	Remarks	Qty	Model
		halogen twin headlamp unit for gas discharge bulb turn signal	VALEO		
		as required use:	front		
(1)	b 8D0 941 029 AR	halogen twin headlamp unit for gas discharge bulb	4E0 010 530	1	
(1)	b 8D0 941 030 AR	halogen twin headlamp unit for gas discharge bulb	left	1	
-	4E0 010 530	label mercury with inscription in language:	english	1	
2	8D0 907 391 A	igniter for gas discharge bulb		2	
-	3C0 941 119	gasket		2	
2A	8E0 941 183	hexagon socket head bolt igniter for gas discharge bulb		6	
3	8D0 941 159 D	cap for low beam		2	
4	8D0 941 159 E	cap for high beam	left	1	
(4)	8D0 941 159 F	cap for high beam	right	1	
5	1J0 941 295 B	range control adjustment motor		2	
6	+ 443 941 323	seal ring		2	
7	8D0 941 453	bracket	left	1	
(7)	8D0 941 454	bracket	right	1	
(9)	8D0 953 053 B	bulb holder turn signal		2	
10	8D0 998 121 A	repair kit for headlamp housing	left	1	
(10)	8D0 998 122	repair kit for headlamp housing	right	1	
11	+ N 011 666 15	washer	6,4X18X1,6	X	
(12)	+ N 104 455 02	halogen bulb 'longlife'	H6W-12V6W	2	
(13)	N 104 759 01	bulb, yellow glass	27/7W 3457NA	1	
14	+ N 103 201 02	halogen bulb 'longlife'	H7-12V-55W	4	
15	N 104 457 01	gas discharge bulb	D2S-12V35W	2	

Model	Year	MG	SG	Illustration	Restrictions	UPD	13:30	20.08.2009		ETKA
A4Q	2000	9	41	941-20		764	USA			

Pos	Part Number	Name	Remarks	Qty	Model	Pos	Part Number	Name	Remarks	Qty	Model
16	+ N 901 686 04	speed nut	M6X23,4X16	2							
17	N 903 694 02	screw, cheese hd.	M6X20 upper	X							
(17)	N 014 749 5	bolt, with hex. socket hd.	M6X40 lower	2							
18		not a spare part									