
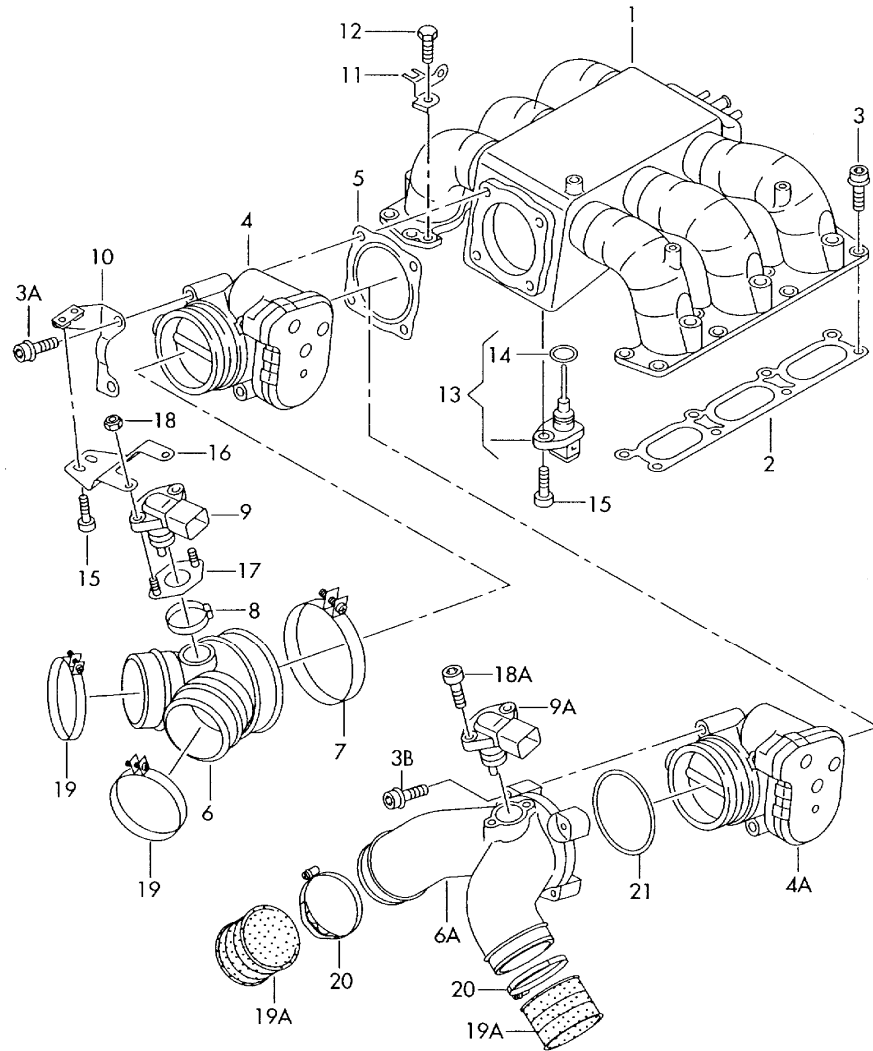


Model	Year	MG	SG	Illustration	Restrictions	UPD	13:21	15.07.2009		ETKA
A4Q	2000	1	33	133-75		753	USA			



Pos	Part Number	Name	Remarks	Qty	Model
		intake manifold throttle body	2,7ltr.		6 cylinder: APB
1	078 133 201 AE	intake manifold F	>> 8D-1-053 000*	1	manual transmission
(1)	078 133 201 BC	intake manifold F 8D-1-053 001>>*		1	
(1)	078 133 201 AC	intake manifold F	>> 8D-1-053 000*	1	automatic
2	078 129 717 N	gasket		2	
3	+ N 100 801 02	bolt, with hex. socket hd. (combi.)	M6X25	16	
3A	N 100 802 02	bolt, with hex. socket hd. (combi.)	M6X50.00-S4-N	4	
4	078 133 062 C	throttle body		1	
5	078 133 073 J	gasket		1	
6	078 133 356 T	intake air duct		1	
			also use:		
			>>8D-Y-134830		
			078 133 343	1	
			078 133 343 A	2	
7	078 133 343	clamp	82MM	1	
8	+ N 904 119 01	retaining clip	27,1X7X0,6	1	
9	078 906 051	pressure sensor		1	
10	078 133 167	bracket		1	
11	078 133 336 A	bracket		1	
12	+ N 010 215 27	screw, hex. hd.	M6X15	1	
13	b 058 905 379	temperature sensor		1	
14	095 323 969	round seal	9X2	1	
15	N 014 702 10	bolt, with hex. socket hd.	M6X15	X	
16	078 133 169 A	bracket		1	
17	078 133 169 B	bracket		1	
18	+ N 011 182 1	hex. nut, self-locking	M5	2	
19	078 133 343 A	clamp	62MM	2	