
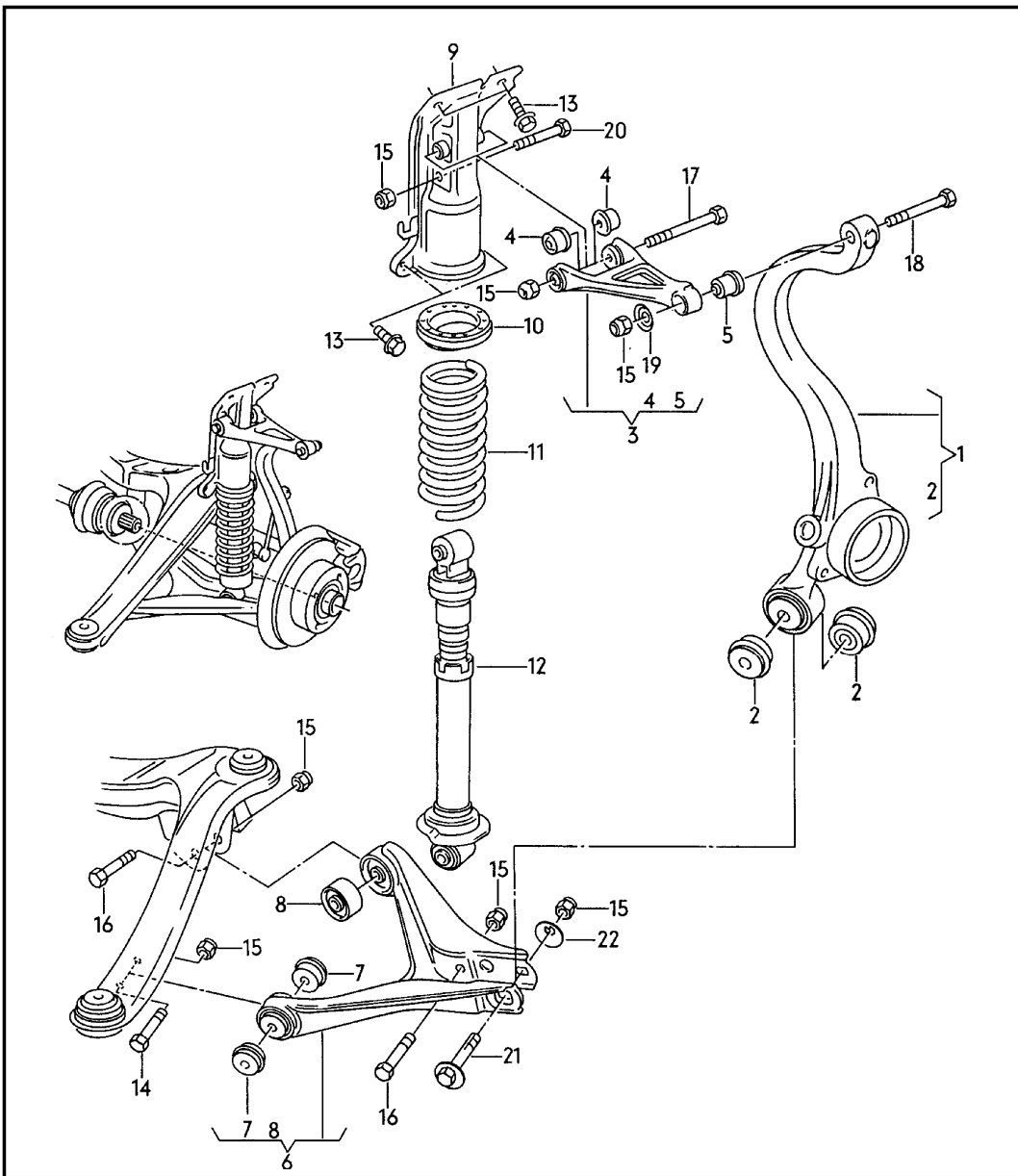



Model	Year	MG	SG	Illustration	Restrictions	UPD	13:28	21.01.2010		ETKA
A4Q	2000	5	05	505-35		778	USA			



Pos	Part Number	Name	Remarks	Qty	Model
		wheel bearing housing suspension	rear		
1	8D0 505 427	wheel bearing housing	75MM left	1	
(1)	8D0 505 428	wheel bearing housing	75MM right	1	
2	8D0 505 171	bonded rubber mounting		4	
(3)	8D0 505 323 A	track control arm F >> 8D-1-082 000*	upper	2	PR-1BD:APB; PR-1BV
(3)	8D0 505 323 A	track control arm F 8D-1-082 001>>*	upper	2	PR-1BD:APB
(3)	8D0 505 323 B	track control arm F 8D-1-082 001>>*	left upper	1	PR-1BV
(3)	8D0 505 324 B	track control arm F 8D-1-082 001>>*	right upper	1	PR-1BV
3	8D0 505 323 B	track control arm	left upper	1	PR-1BA,1BE
(3)	8D0 505 324 B	track control arm	right upper	1	PR-1BA,1BE
4	8D0 505 185 A	bonded rubber mounting	inner	4	
5	8A0 505 172 B	bonded rubber mounting	outer	2	
6	8D0 505 311	track control arm	left lower	1	
(6)	8D0 505 312	track control arm	right lower	1	
7	8D0 511 247	bonded rubber mounting	front, inner	4	
8	8D0 511 523	mounting	rear, inner	2	
9	8D0 512 341	mounting	left	1	
(9)	8D0 512 342	mounting	right	1	
10	8A0 512 297 E	damping ring		2	
11	8D5 511 115 F	coil spring 2 paint marks 1 paint mark	white violet	2	PR-1BA/OYQ
(11)	8D5 511 115 G	coil spring 2 paint marks 2 paint marks	white violet	2	PR-1BA/OYR
(11)	8D9 511 115 D	coil spring 2 paint marks 3 paint marks	white violet		PR-1BA/OYS

Model	Year	MG	SG	Illustration	Restrictions	UPD	13:28	21.01.2010		ETKA
A4Q	2000	5	05	505-35		778	USA			

Pos	Part Number	Name	Remarks	Qty	Model	Pos	Part Number	Name	Remarks	Qty	Model
(11)	8D9 511 115 D	coil spring F 8D-Y-080 000*>> 2 paint marks 3 paint marks	white violet	2	PR-1BA/0YT	(12)	8D5 513 029 E	shock absorber F 8D-1-082 001>>*>> for sports-type running gear		2	PR-1BV
(11)	8D9 511 115 S	coil spring F 8D-Y-080 001>>*>> 2 paint marks 1 paint mark	white orange	2	PR-1BA/0YT	13	N 905 635 01	bolt, hex. hd. (combi.)	M10X24	8	
(11)	8D5 511 115 D	coil spring for sports-type running gear 1 paint mark 1 paint mark	white pink		PR-1BD/0YQ; PR-1BE/0YQ; PR-1BV/0YQ	14	N 010 183 5	screw, hex. hd.	M12X1,50X75	2	
(11)	8D9 511 115 E	coil spring for sports-type running gear 1 paint mark 2 paint marks	white pink		PR-1BD/0YR; PR-1BE/0YR; PR-1BV/0YR	15	N 906 350 01	hex. nut, self-locking	M12X1,5	18	
(11)	8D9 511 115 T	coil spring for sports-type running gear 1 paint mark 3 paint marks	white pink	2	PR-1BD/0YS; PR-1BE/0YS; PR-1BV/0YS	16	N 010 186 7	screw, hex. hd.	M12X1,50X85	4	
(11)	8D9 511 115 T	coil spring F 8D-Y-080 001>>*>> for sports-type running gear 1 paint mark 3 paint marks	white pink	2	PR-1BD/0YT; PR-1BE/0YT; PR-1BV/0YT	17	N 102 655 01	screw, hex. hd.	M12X1,5X212	2	
12	8D5 513 029 D	shock absorber F >> 8D-Y-165 000*		2	sedan: PR-1BA	18	N 102 706 01	screw, hex. hd.	M12X1,50X102	2	
(12)	8D5 513 029 G	gas-filled shock absorber F 8D-Y-165 001>>*>>		2	sedan: PR-1BA	19	8A0 511 341 A	washer	42MM	2	
(12)	8D9 513 029 A	shock absorber F >> 8D-Y-165 000*		2	AVANT: PR-1BA	20	N 102 412 01	screw, hex. hd.	M12X1,50X85	2	
(12)	8D9 513 029 C	gas-filled shock absorber F 8D-Y-165 001>>*>>		2	AVANT: PR-1BA	21	8A0 501 387 C	eccentric screw	M12X1,5X95	2	
(12)	8D0 513 029 E	shock absorber for sports-type running gear		2	PR-1BD:APB	22	8A0 501 385 A	eccentric washer		2	
(12)	8D5 513 029 E	shock absorber for sports-type running gear		2	PR-1BE						
(12)	8D0 513 029 F	shock absorber F >> 8D-1-082 000*>> for sports-type running gear		2	PR-1BV						